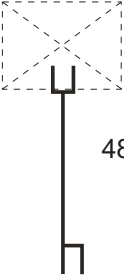
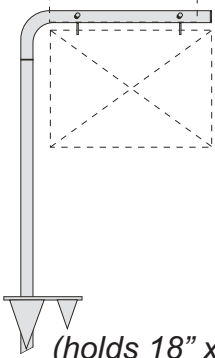
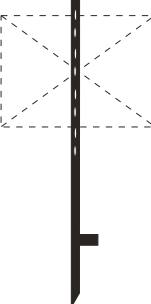
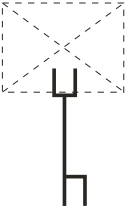
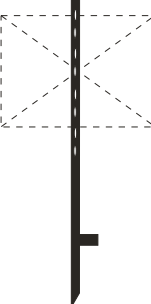
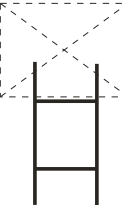
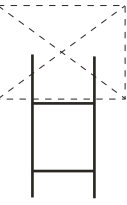
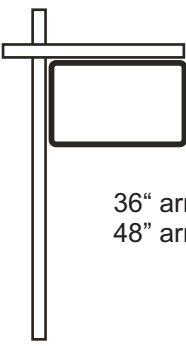


STAKES

CORO STAKE	CURVED STAKE	STEEL STAKE
 <p>48"</p> <p>(heavy duty construction)</p>	 <p>(holds 18" x 24" and 24" long rider)</p>	 <p>48"</p>
 <p>30"</p> <p>(heavy duty construction)</p>		 <p>30"</p>
 <p>30"</p> <p>(extra heavy duty construction)</p>	 <p>30"</p> <p>(simple wire construction)</p>	 <p>4 x 4 vinyl full size post with steel anchor mount.</p> <p>36" arm.....\$95.50 48" arm.....\$107.50</p>
<p>These stakes are for use with corrugated plastic signs. The prongs at the top of the stake slip inside the corrugations of the sign itself & the prongs at the bottom step down into the ground.</p>		

<i>Signs sold separately</i>	QTY	TOTAL
48" h COROSTAKE.....	\$5.00 X _____ = _____	
30" h COROSTAKE.....	\$5.00 X _____ = _____	
30" H COROSTAKE.....	\$6.00 X _____ = _____	
30" H ECONOSTAKE.....	\$3.50 X _____ = _____	
CURVED STAKE.....	\$39.00 X _____ = _____	
48" STAKE BLACK.....	\$6.00 X _____ = _____	
48" STAKE WHITE.....	\$6.00 X _____ = _____	
	SUBTOTAL	_____
	TAX	_____
	TOTAL	_____

Comments:

Your name _____

Office name _____

Office phone No. _____

Card number _____

Expiration date _____ CVC# _____

Name on card _____

Authorized signature _____